



- **Integrator 110**
Command, Control and Readout Device



Bios

Driving a Higher Standard
in Flow MeasurementSM



Bios meets the highest quality assurance standards for gas flow measurement uncertainty, including industry-leading ISO 17025, ANSI Z-540 and NIST 150 laboratory accreditation by the National Voluntary Laboratory Accreditation Program (NVLAP) administered by the National Institute of Standards and Technology (NIST).

Bios Integrator 110

The Integrator 110 MFC command, control and readout device integrates Proven DryCal® Technology and a range of systems to make it easier than ever to perform in-house verifications and multi-setpoint calibrations of your critical mass flow devices.

Flexible Ways of Working

The Integrator 110 offers the level of functionality that's right for your organization.

While it powers and controls your mass flow control devices, the Integrator 110 communicates directly with your Bios Met Lab® Series primary piston prover for instant flow comparisons and deviation percentages, comprehensively presented on its LCD display.

Or, turn your Integrator 110 into a high-speed, fully-automated calibration system powered by Bios Optimizer 130 software.

Optimizer Software

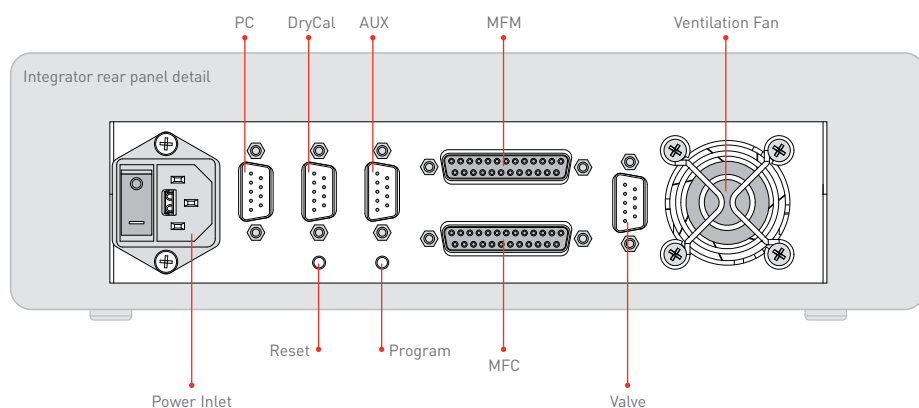
If you want the ultimate in calibration convenience, you are ready for the Optimizer Collect.

Combine the Integrator 110 with the Optimizer Collect and multi-set point calibrations are only a few mouse clicks away. In no time at all, you will be performing hands-free tests of analog MFCs and MFMs across their full operating ranges.



Integrator 110

Command, Control and Readout Device



- Reliable**
15 years of Proven DryCal® Technology
- Accurate**
Backed by ISO 17025, ANSI Z-540 and NIST Handbook 150
- Flexible**
Power, control, calibrate and automate
- Convenient**
Fast, hands-free operation and easy portability

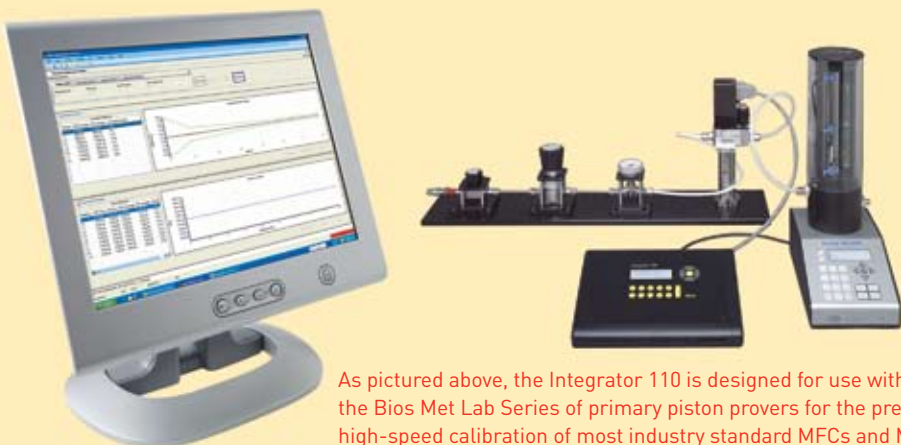
- Connects to your mass flow devices via manufacturer-specific cables
- Offers manual operation mode for easy calibration set up and verifications of mass flow devices
- Simultaneously displays your Bios Met Lab Series' flow measurements, your device's readouts and deviation percentages
- Works with Bios Optimizer 130 Software to become a state-of-the-art, computer-controlled calibration solution, featuring automated calibrations and a comprehensive Device Under Test (DUT) database
- Commands your mass flow controllers to generate specific flows, while simultaneously indicating – and verifying – their output
- Generates user-entered setpoints for most mass flow controllers (via Optimizer 130 software)
- Provides diagnostic readings of setpoint and mass flow device output, in Milliamps or Volts



A Complete Calibration Solution

Experience the power of calibration automation. The Integrator 110 links a variety of key systems together to create a fully-automated gas flow calibration solution. While you concentrate on other important tasks, this system performs flow verifications and complex multi-setpoint MFC and MFM calibrations – quickly and precisely, for maximum efficiency and documented accuracy.

Using available valve drivers and bi-directional communication, our gas flow calibration solution is customizable, meaning your organization gets exactly the level of calibration control you need.



As pictured above, the Integrator 110 is designed for use with the Bios Met Lab Series of primary piston provers for the precise, high-speed calibration of most industry standard MFCs and MFMs.



The Bios facility in Butler, N.J., (pictured above) is one of the world's most accurate ISO 17025 laboratories serving the environmental and process control industries. With the lowest gas flow measurement uncertainties of any commercial laboratory, Bios provides you with the legal protections and peace of mind valued in today's litigious business environment.



Bios continues to bring new and better tools for gas flow measurement to market, in convenient, practical designs featuring the enhanced functionality you need, with the backing and defensibility you deserve.

Bios

Bios International Corporation
10 Park Place
Butler, NJ, USA 07405

Phone: 973.492.8400
Toll Free: 800.663.4977
Fax: 973.492.8270

www.biosint.com
www.drycal.com